

Product data sheet

Characteristics

MJF36600

Circuit Breaker, PowerPact M, electronic trip, unit mount, 600A, 3 pole, 25 kA, 600 VAC, no lugs



Product availability: Stock - Normally stocked in distribution facility

Price*: 9456.00 USD



Main

Product or component type	Circuit breaker
---------------------------	-----------------

Complementary

Line Rated Current	600 A
Poles description	3P
Breaking capacity code	J
Magnetic tripping current	1200...6000 A
Electrical connection	Busbar connection line Busbar connection load
Terminal identifier	AL800M23K
Tightening torque	442.54 Lbf.In (50 N.m) 0.15...0.37 in ² (95...240 mm ²) (AWG 3/0...500 kcmil)
Height	12.86 In (326.6 mm)
Width	0.32 In (8.06 mm)
Depth	8.27 In (210 mm)
Continuous current rating	80 %

Ordering and shipping details

Category	01205 - MG, MJ UNIT MOUNT BREAKER
Discount Schedule	DE2
GTIN	00785901504283
Nbr. of units in pkg.	1
Package weight(Lbs)	27.83 Lb(US) (12.62 kg)
Returnability	Yes
Country of origin	US

Packing Units

Package 1 Height	10.50 In (26.670 cm)
Package 1 width	12.00 In (30.480 cm)
Package 1 Length	18.50 In (46.990 cm)

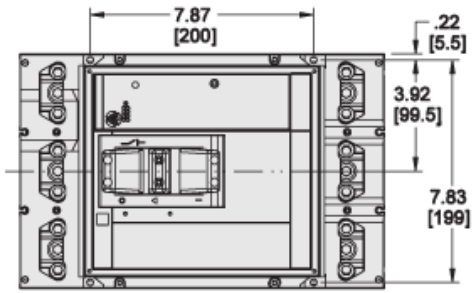
Offer Sustainability

Sustainable offer status	Green Premium product
California proposition 65	WARNING: This product can expose you to chemicals including: DIN-P, which is known to the State of California to cause cancer, and DID-P, which is known to the State of California to cause birth defects or other reproductive harm. For more information go to www.P65Warnings.ca.gov
REACH Regulation	REACH Declaration
EU RoHS Directive	Compliant EU RoHS Declaration
Mercury free	Yes
RoHS exemption information	Yes
China RoHS Regulation	China RoHS Declaration
Environmental Disclosure	Product Environmental Profile
Circularity Profile	End Of Life Information
PVC free	Yes

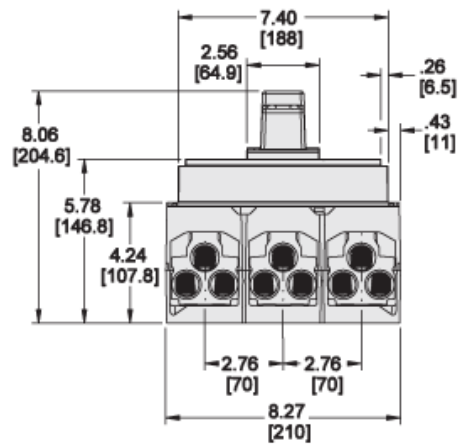
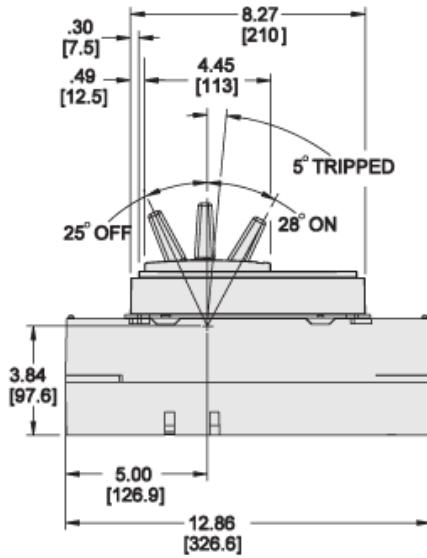
Contractual warranty

Warranty	18 months
----------	-----------

Approximate Dimensions



in.
[mm]



Product Life Status : Commercialised